



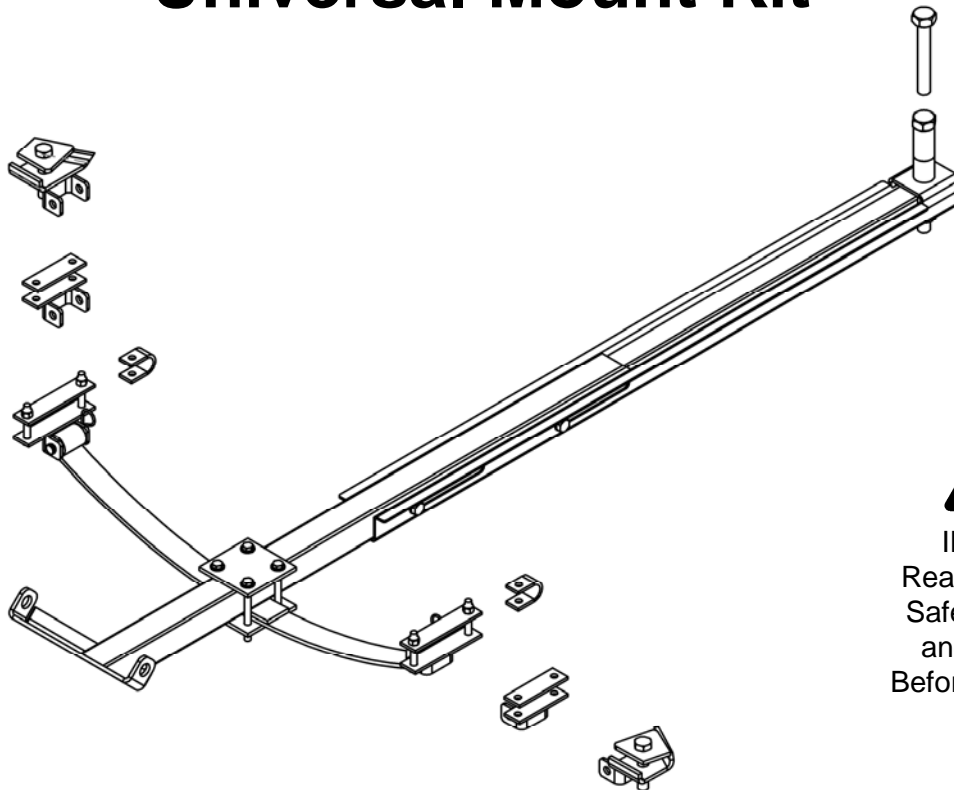
CHANGING YOUR LANDSCAPE SINCE 1945

swisherinc.com

## OWNER'S MANUAL

# 2646

## Universal Mount Kit



**IMPORTANT**  
Read and follow all  
Safety Precautions  
and Instructions  
Before Operating this  
Equipment.

SWISHER ACQUISITION INC.  
1602 CORPORATE DRIVE, WARRENSBURG, MISSOURI 64093  
PHONE 660-747-8183 FAX 660-747-8650

## LIMITED WARRANTY

The manufacturer's warranty to the original consumer purchaser is: This product is free from defects in materials and workmanship for a period of one (1) year from the date of purchase by the original consumer purchaser. We will repair or replace, at our discretion, parts found to be defective due to materials or workmanship. This warranty is subject to the following limitations and exclusions:

- 1) Commercial Use      This product is not intended for commercial use and carries no commercial warranty.
- 2) Limitation            This warranty applies only to products which have been properly assembled, adjusted, and operated in accordance with the instructions contained within this manual. This warranty does not apply to any product of Swisher that has been subject to alteration, misuse, abuse, improper assembly or installation, shipping damage, or to normal wear of product.
- 3) Exclusions            Excluded from this warranty are normal wear, normal adjustments, and normal maintenance.

In the event you have a claim under this warranty, you must return the product to an authorized service dealer. All transportation charges, damage, or loss incurred during transportation of parts submitted for replacement or repair under this warranty shall be borne by the purchaser. Should you have any questions concerning this warranty, please contact us toll-free at 1-800-222-8183. The model number, serial number, date of purchase, and the name of the authorized Swisher dealer from whom you purchased the product will be needed before any warranty claim can be processed.

**THIS WARRANTY DOES NOT APPLY TO ANY INCIDENTAL OR CONSEQUENTIAL DAMAGES AND ANY IMPLIED WARRANTIES ARE LIMITED TO THE SAME TIME PERIODS STATED HEREIN FOR ALL EXPRESSED WARRANTIES.** Some states do not allow the limitation of consequential damages or limitations on how long an implied warranty may last, so the above limitations or exclusions may not apply to you. This warranty gives you specific legal rights and you may have other rights, which vary from state-to-state. This is a limited warranty as defined by the Magnuson-Moss Act of 1975.

# SAFETY PRECAUTIONS



**This Safety Alert Symbol indicates important messages in this manual. When you see this symbol, carefully read the message that follows and be alert to the possibility of personal injury.**

- Read the manual. Learn to operate this machine safely.
- Keep the operating speed LOW!!!! Do not operate over 5 MPH (8 KPH).
- Allow only responsible adults who are familiar with these instructions to operate this machine. Never allow children to operate this machine.
- Be sure the area is clear of other people before operating. Children are often attracted to the machine and the operating activity. ***Never assume that children will remain where you last saw them.*** Keep children under the watchful care of another responsible adult.
- Watch for traffic when operating near or crossing roadways.
- Do not operate the attachment if it has been dropped or damaged in any manner. Repair as necessary.
- Dress properly. Do not operate when barefoot or wearing open sandals.
- Do not operate the machine while under the influence of alcohol or drugs.
- Never tamper with safety devices. Check their proper operation regularly.
- Operate attachments up and down slopes. There is significant risk of overturns when operating across slopes.
- Stop and inspect the equipment if you strike an object. Repair, if necessary, before restarting.
- Never make adjustments or repairs with the engine running.
- Some components are heavy and may require help when lifting, especially once the parts are assembled.

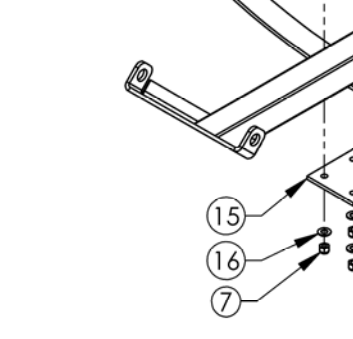
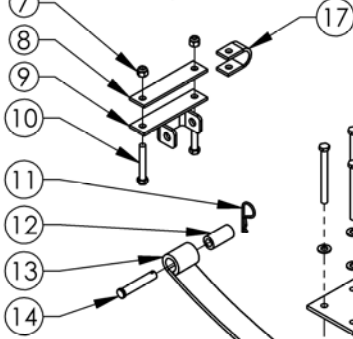
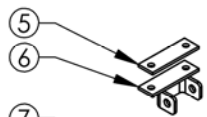
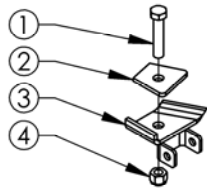
# UNIVERSAL MOUNT PARTS DETAIL

## MOUNTING OPTIONS

There are four different mounting bracket options provided for mounting to various front axle styles. Long Brackets 2634 and 2632 (8, 9) and Short Brackets 2635 and 2633 (5, 6) are two sets that will work on most ATVs. The determining factor is what type of A-arms (lower portion of the front axle) are used on your ATV. The Long Brackets are shown as an example at the bottom of this page (See Fig. 1). For some Honda models, using U-Shaped Bracket 2677 (17) in tandem with Long Brackets 2634 and 2632 (8, 9) may be necessary (See Fig. 2). Some vehicles are best suited for the Center Bolt Left & Right Brackets 2637, 2638 and 2641 (3, 20, 2).

**Note:** These brackets are right and left oriented.

There are two different sizes of Bolts provided for attaching the Universal Mount to the rear ball hitch mount of the vehicle: 3/4-10 X 5 Bolt NB243 and 3/4-10 X 7 1/2 Bolt NB655 (25, 26).



Nylon Bushing 2596-1 (12) is preinstalled in Leaf Spring 2596 (13).

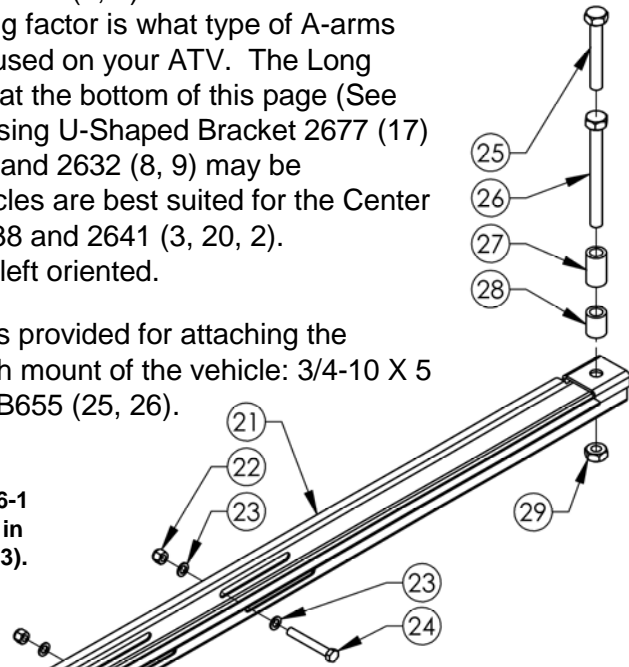
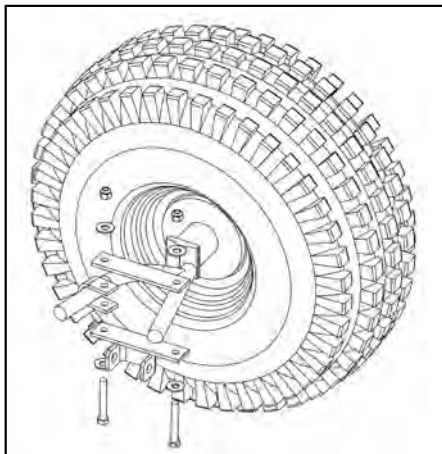
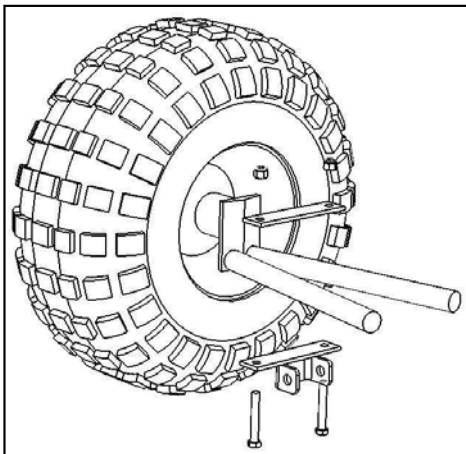


Fig. 1

Fig. 2



Item #	Part #	Description
1	NB699	5/8 - 11 X 3 GR 5 Hex Bolt
2	2641	Backing Bracket R&L
3	2637	ATV Bracket Right
4	NB561	5/8 - 11 Nyloc Nut
5	2635	Bracket Plate Short
6	2633	Mount Bracket Short
7	NB182	3/8 - 16 Nyloc Nut
8	2634	Bracket Plate Long
9	2632	Mount Bracket Long
10	NB619	3/8 - 16 X 2 1/2 GR5 Bolt
11	NB247	Hair Pin #10
12	2596-1	Nylon Bushing
13	2596	Leaf Spring
14	NB244	1/2 X 2 3/4 Clevis Pin
15	2631	Spring Shackle
16	NB272	3/8 SAE Washer
17	2677	Bracket - U Shaped, Honda
18	2593	Slide Bar
19	NB645	3/8 - 16 x 4 GR 5 Hex Head
20	2638	ATV Bracket Left
21	2630	Channel Mount
22	NB281	1/2 - 13 Nyloc Nut
23	NB177	1/2 NR Mach Bushing
24	NB577	1/2 - 13 X 3 1/2 GR5 Bolt
25	NB243	3/4 - 10 X 5 GR 5 Bolt
26	NB655	3/4 - 10 X 7 1/2 GR 5 Bolt
27	9609	Spacer 1.25 X .75 X 2.1875
28	2655	Spacer 1.25 X .75 X 1.5
29	NB609	3/4 - 10 Nyloc Nut

When ordering replacement parts  
\*USE PAINT CODE: TK=BLACK



**TO ENSURE PROPER ASSEMBLY, CAREFULLY FOLLOW ALL INSTRUCTIONS LISTED BELOW**

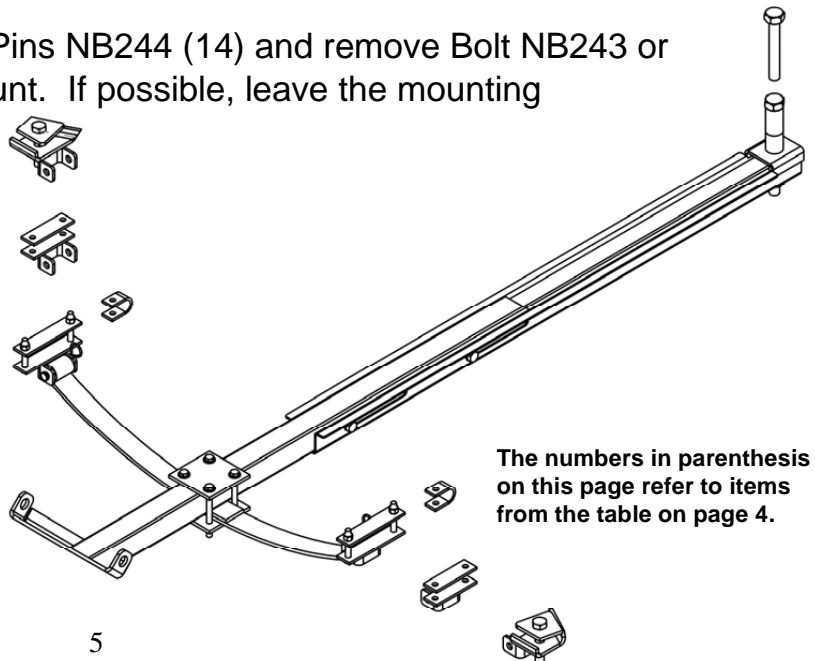
## Universal Mount Assembly

1. Lay out the hardware under the ATV, as shown on the previous page. If needed, for clearance, raise the front of the ATV. Make sure the support used is **very** stable; do not rely on hydraulic jacks.
2. Loosely attach the Mounting Brackets best suited for your vehicle to the lower A-arms as near as possible to the inside of the wheel. See the example at the bottom of page 4. Do not securely tighten at this time.
3. Attach Leaf Spring 2596 (13) to each Mounting Bracket using Clevis Pin NB244 (14) and Hair Pin NB247 (11).
4. Attach Channel Mount 2630 (21) to the ATV ball hitch mount with 3/4-10 X 5 Bolt NB243 or 3/4-10 X 7½ Bolt NB655 (25, 26) and 3/4-10 Nyloc Nut NB609 (29). Spacers 9609 and 2655 (27, 28) need to be installed to keep the Universal Mount assembly level and for clearance.
5. Insert Slide Bar Weldment 2593 (18) into Channel Mount 2630 (21). Adjust the Slide Bar Weldment (18) so the accessory mounting holes are approximately 2" ahead of the front wheels. Some adjustment may be needed after the Blade attachment is installed to ensure acceptable clearance between the attachment and the ATV. The slots in part 2630 (21) and the holes in part 2593 (18) will allow for this adjustment. Loosely fasten using ½-13 X 3½ Bolt NB577 (24), ½ Washer NB177 (23) and ½-13 Nyloc Nut NB281 (22).
6. If previously raised, carefully lower the ATV to the ground.
7. Place the two Leaf Springs (13), from step 3 and the assembly from step 5 between the Spring Shackles 2631 (15). Loosely fasten with 3/8-16 X 4 Bolt NB645 (19), 3/8 Washer NB272 (16) and 3/8-16 Nyloc Nut NB182 (7) as shown.
8. Check the clearance between the Mounting Brackets and the ATV wheel rims by turning the ATV steering to the extreme right and then the extreme left. Adjust the location of the brackets if necessary. Make any necessary adjustments as described in step 5 then securely tighten all fasteners starting with the four Bolts (19) listed in step 7.

## Removal of the Mount Assembly

Remove Hair Pins NB247 (11), pull Clevis Pins NB244 (14) and remove Bolt NB243 or NB655 (25, 26) from the ATV ball hitch mount. If possible, leave the mounting brackets attached to the A-Arms.

**NOTE:** The CV guards on your ATV may need to be trimmed or otherwise modified to allow for installation and proper clearance for the Accessory Mount. Check with the vehicle mfg prior to making modifications as such modifications could void the mfg warranty.



The numbers in parenthesis on this page refer to items from the table on page 4.







**CHANGING YOUR LANDSCAPE SINCE 1945**

**swisherinc.com**

**OWNER'S MANUAL**

**2646**

## **Universal Mount Kit**

WHEN ORDERING PARTS, PLEASE HAVE THE  
FOLLOWING INFORMATION AVAILABLE:

- \* PRODUCT - \_\_\_\_\_
- \* MODEL NUMBER - \_\_\_\_\_
  - \* TYPE - \_\_\_\_\_
- \* PART NUMBER WITH PAINT CODE
- \* PART DESCRIPTION

TELEPHONE - 1-800-222-8183

FAX - 1-660-747-8650

**SWISHER ACQUISITION INC.  
1602 CORPORATE DRIVE, WARRENSBURG, MISSOURI 64093  
PHONE 660-747-8183 FAX 660-747-8650**